



reddot award 2016
winner

Higher Revenue

- High efficiency inverter topology, Max. Efficiency 98.6%, European Efficiency 98.0%

Simple & Easy

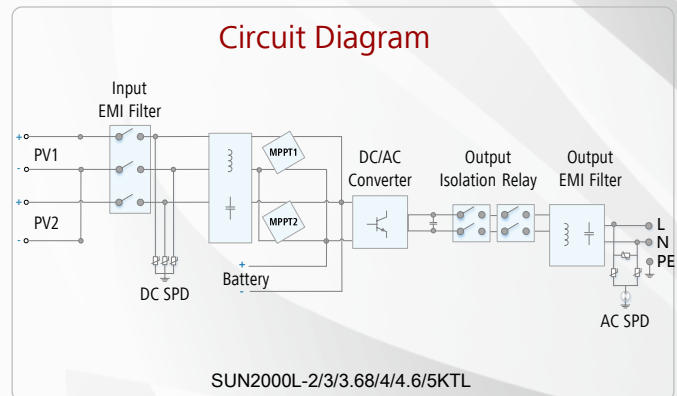
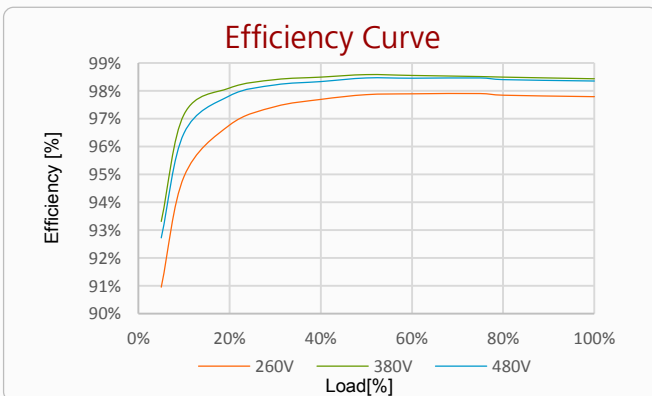
- 10.6kg, allows one person simple installation
- Optimized AC connector for quick wiring
- Supports one-click inverter configuration

Battery Ready

- Integrated energy storage interface

Safe & Reliable

- IP65, Natural cooling
- Integrated lightning protection for both DC and AC



SUN2000L-2/3/3.68/4/4.6/5KTL

Technical Specification	SUN2000L-2KTL	SUN2000L-3KTL	SUN2000L-3.68KTL	SUN2000L-4KTL	SUN2000L-4.6KTL	SUN2000L-5KTL
Efficiency						
Max. efficiency	98.4%	98.5 %	98.5 %	98.6 %	98.6 %	98.6 %
European weighted efficiency	97.0 %	97.6 %	97.8%	97.9 %	98 %	98 %
Input						
Recommended max. PV power	2660 Wp	3990 Wp	4968 Wp	5400 Wp	6210 Wp	6750 Wp
Max. input voltage	600 V					
Operating voltage range ¹	90 V~ 600 V					
Start-up voltage	120 V					
Full power MPPT voltage range	120V~480 V	160 V~480 V	190 V~480 V	210 V~480 V	260 V~480 V	260 V~480 V
Rated input voltage	380 V					
Max. input current per MPPT	11 A					
Number of MPP trackers	2					
Max. number of inputs per MPPT	1					
Output						
Rated output power	2000 W	3000 W	3680 W	4000 W	4600 W	5000 W ²
Maximum apparent power	2200 VA	3300 VA	3680 VA	4400 VA	5000 VA ³	5500 VA ⁴
Rated output voltage	220 V / 230 V / 240 V					
Rated AC grid frequency	50 Hz / 60 Hz					
Maximum output current	10 A	15 A	16 A	20 A	23 A ⁵	25 A ⁵
Adjustable power factor	0.8 leading ... 0.8 lagging					
Max. total harmonic distortion	≤ 3 %					
Protection						
Anti-Islanding protection	Yes					
DC reverse polarity protection	Yes					
Insulation monitoring	Yes					
DC lightening protection	Yes					
AC lightening protection	Yes					
Residual current monitoring	Yes					
AC overcurrent protection	Yes					
AC short-circuit protection	Yes					
AC over-voltage protection	Yes					
Over-heat protection	Yes					
General Data						
Operating temperature range	-30 ~ +60 °C (Derating above 45°C @ Rated output power)					
Relative operating humidity	0 %RH ~ 100 %RH					
Operating altitude	0-4000 m (Derating above 2000m)					
Cooling	Natural Convection					
Display	LED Indicators					
Communication	RS485, WLAN					
Weight (incl. mounting bracket)	10.6 kg					
Dimension (incl. mounting bracket)	375X375X161.5 mm					
Degree of protection	IP65					
Battery Compatibility						
Battery	LG Chem RESU 7H_R / 10H_R					
Voltage range	350~450 Vdc					
Max. current	10 A					
Communication	RS485					
Standards Compliance						
Safety	EN/IEC 62109-1, EN/IEC 62109-2					
Grid connection standards	G83/2, G59/3, EN 50438, CEI 0-21, VDE-AR-N-4105, UTE C 15-712-1, AS 4777					

*1. Only applicable for PV string. The maximum input voltage and operating voltage upper limit will be reduced to 495 V when inverter connects and works with battery.

*2. AS4777:4990W. *3. VDE-AR-N 4105:4600VA / AS4777:4990VA. *4. AS4777:4990VA. *5. AS4777:21.7A.

The text and figures reflect the current technical state at the time of printing. Subject to technical changes. Errors and omissions excepted. Huawei assumes no liability for mistakes or printing errors. For more information, please visit solar.huawei.com. Version No.:03-(2017)1027